

DECLARATION OF CONFORMITY

Hereby, Marmitek BV, declares that this IR Control Pro System is in compliance with the essential requirements and other relevant provisions of the following Directives:

DIRECTIVE 2004/108/EC OF THE EUROPEAN PARLIAMENT AND OF THE COUNCIL of 15 December 2004 on the approximation of the laws of the Member States relating to electromagnetic compatibility

Directive 2006/95/EC of the European Parliament and of the Council of 12 December 2006 on the harmonisation of the laws of Member States relating to electrical equipment designed for use within certain voltage limits

Directive 2002/95/EC of the European Parliament and of the Council of 27 January 2003 on the restriction of the use of certain hazardous substances in electrical and electronic equipment

Hiermit erklärt Marmitek BV die Übereinstimmung des Gerätes IR Control Pro System den grundlegenden Anforderungen und den anderen relevanten Festlegungen der Richtlinien:

RICHTLINIE 2004/108/EG DES EUROPÄISCHEN PARLAMENTS UND DES RATES vom 15. Dezember 2004 zur Angleichung der Rechtsvorschriften der Mitgliedstaaten über die elektromagnetische Verträglichkeit

Richtlinie 2006/95/EG des Europäischen Parlaments und des Rates vom 12. Dezember 2006 zur Angleichung der Rechtsvorschriften der Mitgliedstaaten betreffend elektrische Betriebsmittel zur Verwendung innerhalb bestimmter Spannungsgrenzen

Richtlinie 2002/95/EG des Europäischen Parlaments und des Rates vom 27. Januar 2003 zur Beschränkung der Verwendung bestimmter gefährlicher Stoffe in Elektro- und Elektronikgeräten

Par la présente Marmitek BV déclare que l'appareil IR Control Pro System est conforme aux exigences essentielles et aux autres dispositions pertinentes de la directives:

DIRECTIVE 2004/108/CE DU PARLEMENT EUROPÉEN ET DU CONSEIL du 15 décembre 2004 relative au rapprochement des législations des États membres concernant la compatibilité électromagnétique

Directive 2006/95/CE du Parlement européen et du Conseil du 12 décembre 2006 concernant le rapprochement des législations des États membres relatives au matériel électrique destiné à être employé dans certaines limites de tension

Directive 2002/95/CE du Parlement européen et du Conseil du 27 janvier 2003 relative à la limitation de l'utilisation de certaines substances dangereuses dans les équipements électriques et électroniques

Marmitek BV declara que este IR Control Pro System cumple con las exigencias esenciales y con las demás reglas relevantes de la directriz:

DIRECTIVA 2004/108/CE DEL PARLAMENTO EUROPEO Y DEL CONSEJO de 15 de diciembre de 2004 relativa a la aproximación de las legislaciones de los Estados miembros en materia de compatibilidad electromagnética

Directiva 2006/95/CE del Parlamento Europeo y del Consejo de 12 de diciembre de 2006 relativa a la aproximación de las legislaciones de los Estados miembros sobre el material eléctrico destinado a utilizarse con determinados límites de tensión

Directiva 2002/95/CE del Parlamento Europeo y del Consejo de 27 de enero de 2003 sobre restricciones a la utilización de determinadas sustancias peligrosas en aparatos eléctricos y electrónicos

Con ciò, Marmitek BV, dichiara che il IIR Control Pro System è conforme ai requisiti essenziali ed alle disposizioni relative alla Direttiva:

DIRETTIVA 2004/108/CE DEL PARLAMENTO EUROPEO E DEL CONSIGLIO del 15 dicembre 2004 concernente il ravvicinamento delle legislazioni degli Stati membri relative alla compatibilità elettromagnetica

Direttiva 2006/95/CE del Parlamento europeo e del Consiglio del 12 dicembre 2006 concernente il ravvicinamento delle legislazioni degli Stati membri relative al materiale elettrico destinato ad essere adoperato entro taluni limiti di tensione

Direttiva 2002/95/CE del Parlamento europeo e del Consiglio del 27 gennaio 2003 sulla restrizione dell'uso di determinate sostanze pericolose nelle apparecchiature elettriche ed elettroniche

Bij deze verklaart Marmitek BV, dat deze IR Control Pro System voldoet aan de essentiële eisen en aan de overige relevante bepalingen van Richtlijnen:

RICHTLIJN 2004/108/EG VAN HET EUROPEES PARLEMENT EN DE RAAD van 15 december 2004 betreffende de onderlinge aanpassing van de wetgevingen van de lidstaten inzake elektromagnetische compatibiliteit

Richtlijn 2006/95/EG van het Europees Parlement en de Raad van 12 december 2006 betreffende de onderlinge aanpassing van de wettelijke voorschriften der lidstaten inzake elektrisch materiaal bestemd voor gebruik binnen bepaalde spanningsgrenzen

Richtlijn 2002/95/EG van het Europees Parlement en de Raad van 27 januari 2003 betreffende beperking van het gebruik van bepaalde gevaarlijke stoffen in elektrische en elektronische apparatuur

MARMITEK BV - P.O. BOX 4257 - 5604 EG EINDHOVEN - NETHERLANDS



IR Control Pro System™

IR Receiver 3856S



20329 / 20091221 • IR Receiver 3856S
ALL RIGHTS RESERVED MARMITEK ©

MARMITEK®

Technical Specifications

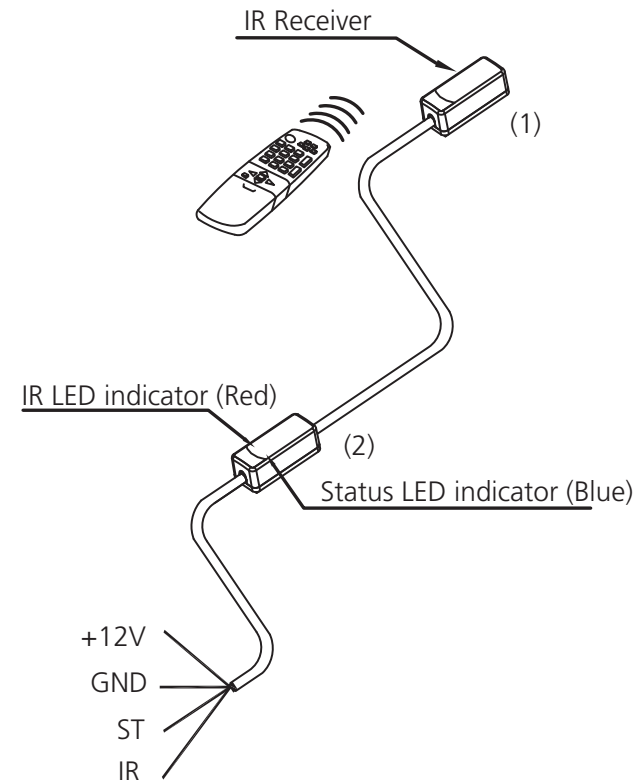
This IR Receiver is part of the IR Control Pro System. The IR Receiver receives infrared commands from your remote control and sends these onto the IR System Module. Install this product according to the user manual of the IR Control Pro System (see www.marmitek.com).

IR Receiver built-on

Frequency range: 30 - 60 kHz
IR reception range: +/- 10 meters
Length of cable: 4 meters, extendable to 300 meters*
LED display: IR reception (RED), Status (Blue)
IR reception angle: 90° (+45°/-45° from centre)
Dimensions receiver: 32 x 13 x 12mm

* Wire recommendation: Use unshielded solid or stranded copper wire (min. 24 gauge, UTP or equivalent) to extend up to 300 meters length.

- (1) Only the IR receiver must be placed in sight of the remote control.
- (2) The second block is only used for indication of IR commands and status control.



+12V: Orange, Orange, Orange, Naranja, Arancio, Oranje

GND: Blue, Blau, Bleu, Azul, Blu, Blauw

ST: Purple, Lila, Violet, Violeta, Viola, Paars

IR: Yellow, Gelb, Jaune, Amarillo, Giallo, Geel

Copyrights

Marmitek is a trademark of Marmidenko BV | IR Control Pro System™ is a trademark of Marmitek BV. All rights reserved.

Copyright and all other proprietary rights in the content (including but not limited to model numbers, software, audio, video, text and photographs) rests with Marmitek B.V. Any use of the Content, but without limitation, distribution, reproduction, modification, display or transmission without the prior written consent of Marmitek is strictly prohibited. All copyright and other proprietary notices shall be retained on all reproductions.



Environmental Information for Customers in the European Union

European Directive 2002/96/EC requires that the equipment bearing this symbol on the product and/or its packaging must not be disposed of with unsorted municipal waste. The symbol indicates that this product should be disposed of separately from regular household waste streams. It is your responsibility to dispose of this and other electric and electronic equipment via designated collection facilities appointed by the government or local authorities. Correct disposal and recycling will help prevent potential negative consequences to the environment and human health. For more detailed information about the disposal of your old equipment, please contact your local authorities, waste disposal service, or the shop where you purchased the product.