

RoboDome10

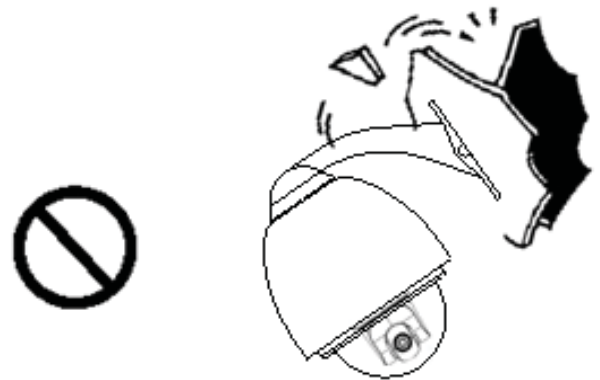
Outdoor IP Camera housing
with heater and fan



Quick Installation Guide

SAFETY WARNINGS

- All the safety and operating instructions should be read before the units is operated.
- The wiring of your electrical installation is live (230 V) and extremely dangerous. Never connect the module when plugged into the mains. Always turn off the main switch before starting the installation. Precautions for anti-lightning and anti-surfing should be taken if necessary.
- During the course of transportation, storage and installation, the product should be avoided from incorrect operations such as heavy pressing, strong vibration etc., which can cause damage of the product as there are sophisticated optical and electronic devices inside the machine.
- This product is for professional use and should be installed by a certified installer.
- Do not operate it in case temperature, humidity and power supply are beyond the limited stipulations.
- Do not place this unit on an unstable stand, tripod, bracket, or mount. The unit may fall, causing serious injury to a person and serious damage to the unit. Use only with a stand, tripod, bracket, or mount recommended by Marmitek or sold with the product. Any mounting of the unit should follow the manufacturer's instructions and should use mounting accessory recommended by manufacturer.
- If necessary, use a commercial lens cleaning paper to clear the lens windows. Gently wipe the lens window until clean.
- In case of improper usage or if you have altered and repaired the product yourself, all guarantees expire. Marmitek does not accept responsibility in the case of improper usage of the product or when the product is used for purposes other than specified. Marmitek does not accept responsibility for additional damage other than covered by the legal product responsibility.
- This product is not a toy. Keep out of reach of children.



INTRODUCTION

The dome housing of the RoboDome10 is rain and dustproof to protect your IP RoboCam IP Camera from adverse environment conditions. Constructed from metal, the dome housing is compact and heavy duty. RoboDome10 has 2 brackets to make it suitable for the installation on different locations. The heater has two elements so that it can operate as a heater and defroster. Cable entry is from cable glands located conveniently on the top plate.

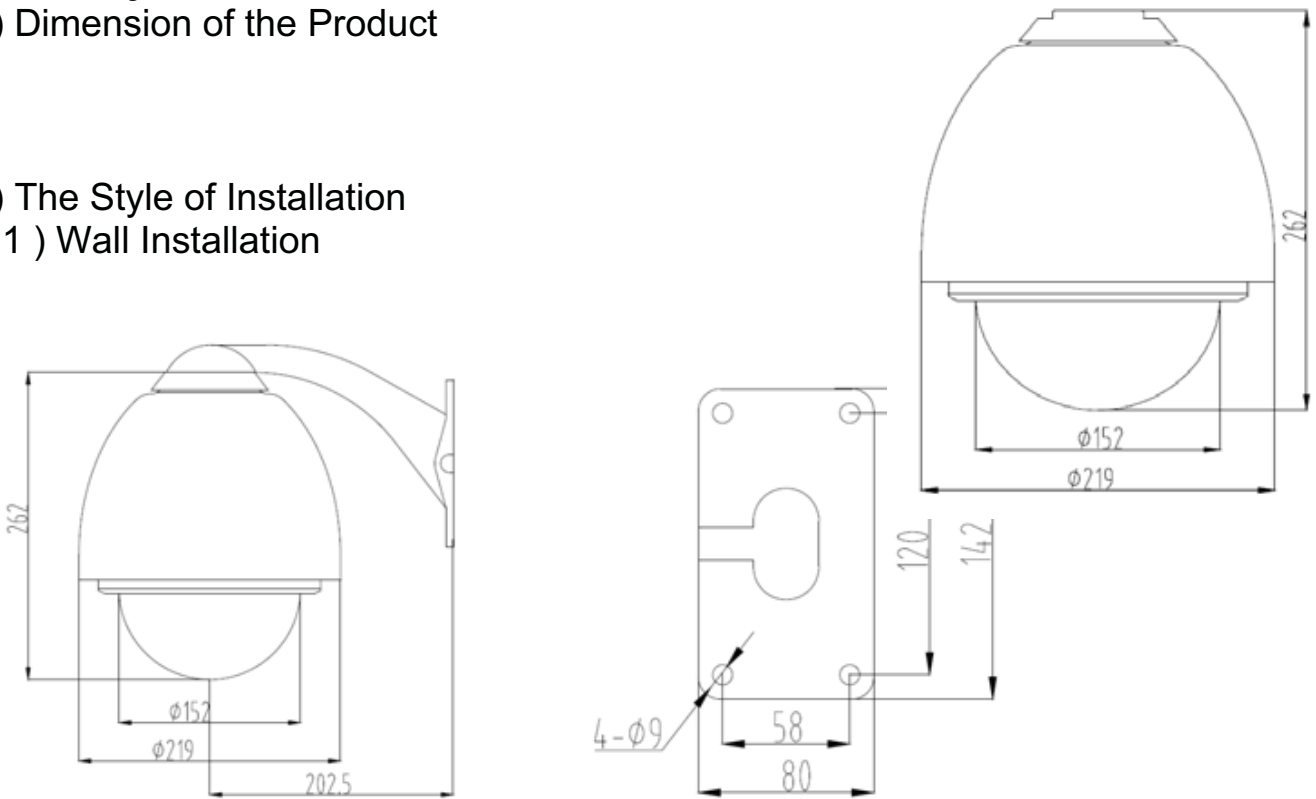
THE INSTALLATION OF THE SYSTEM

1. The Style of the Installation

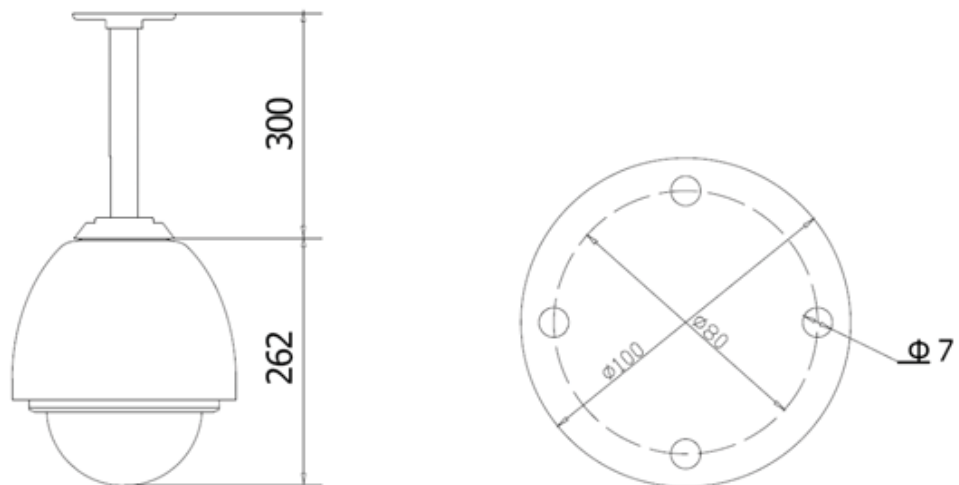
1) Dimension of the Product

2) The Style of Installation

2.1) Wall Installation

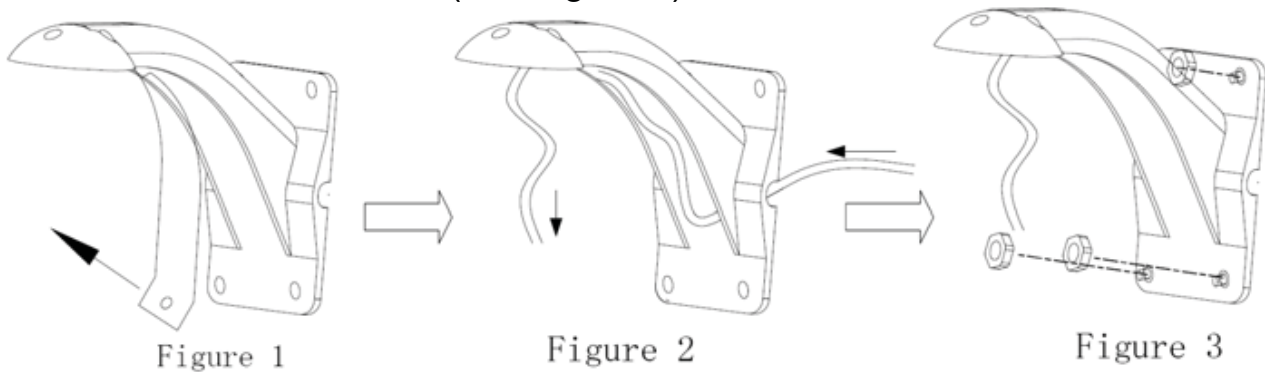


2.2) Ceiling Installation

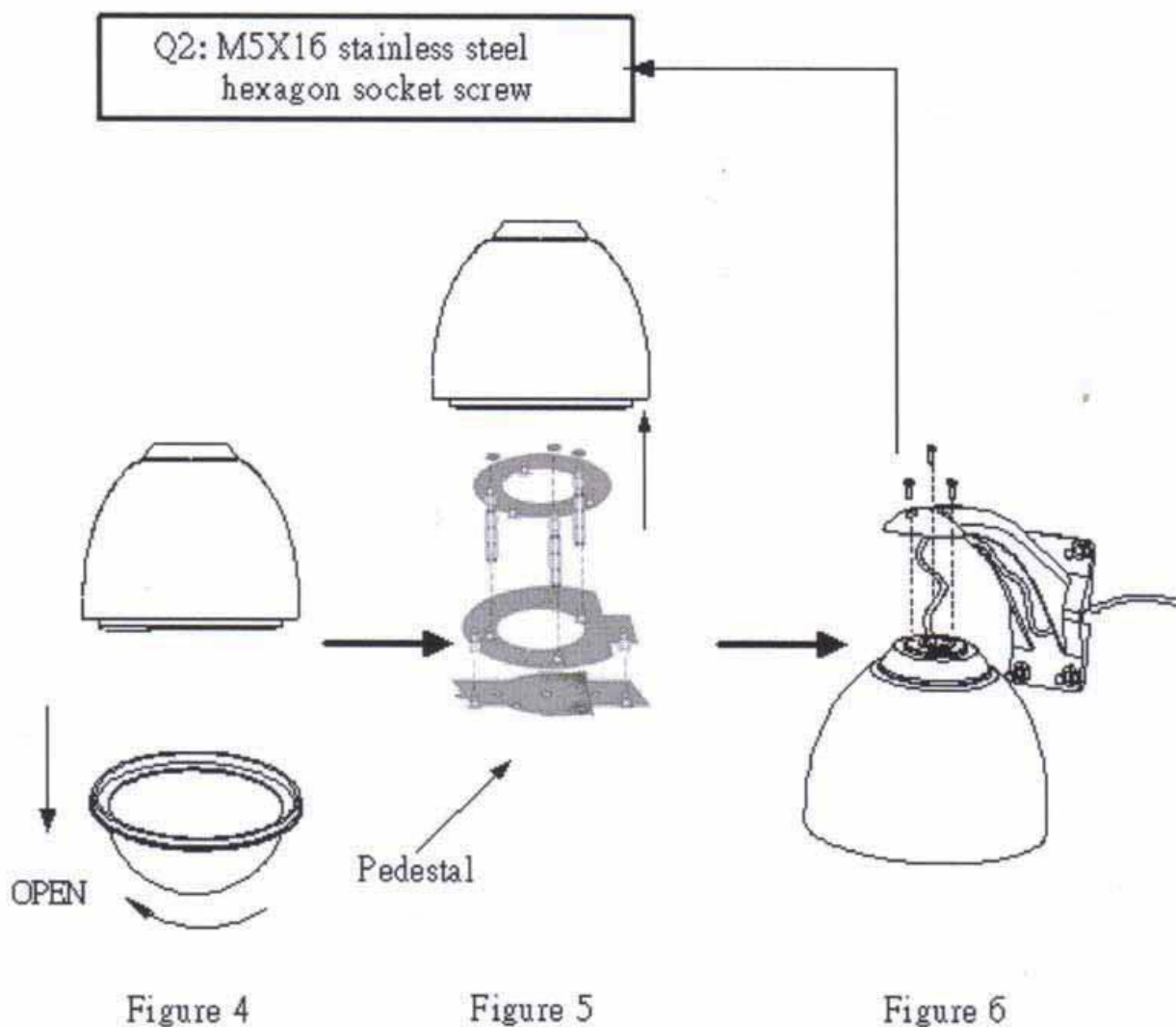


2. Steps of Installation (taking wall-installing style as example):

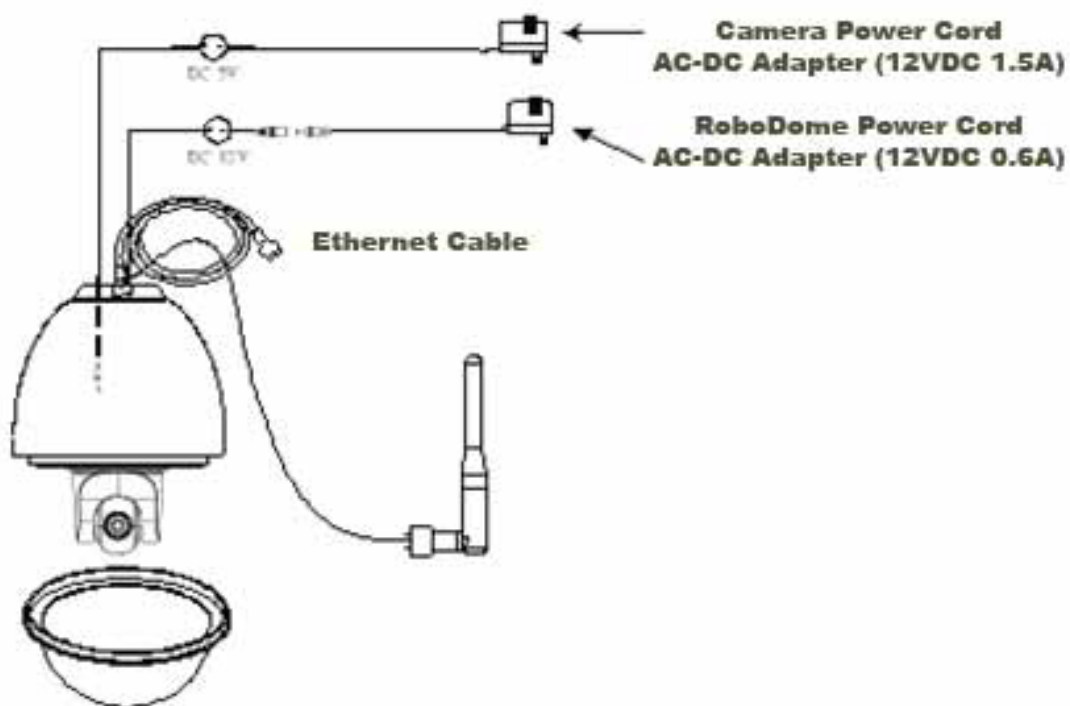
- 1) Unpack the carton and carefully take out the attachments.
- 2) Take out the cover of the wall-installed bracket (see Figure 1).
- 3) Take out system wires from the bracket (see Figure 2).
- 4) Fix the bracket on the wall (see Figure 3).



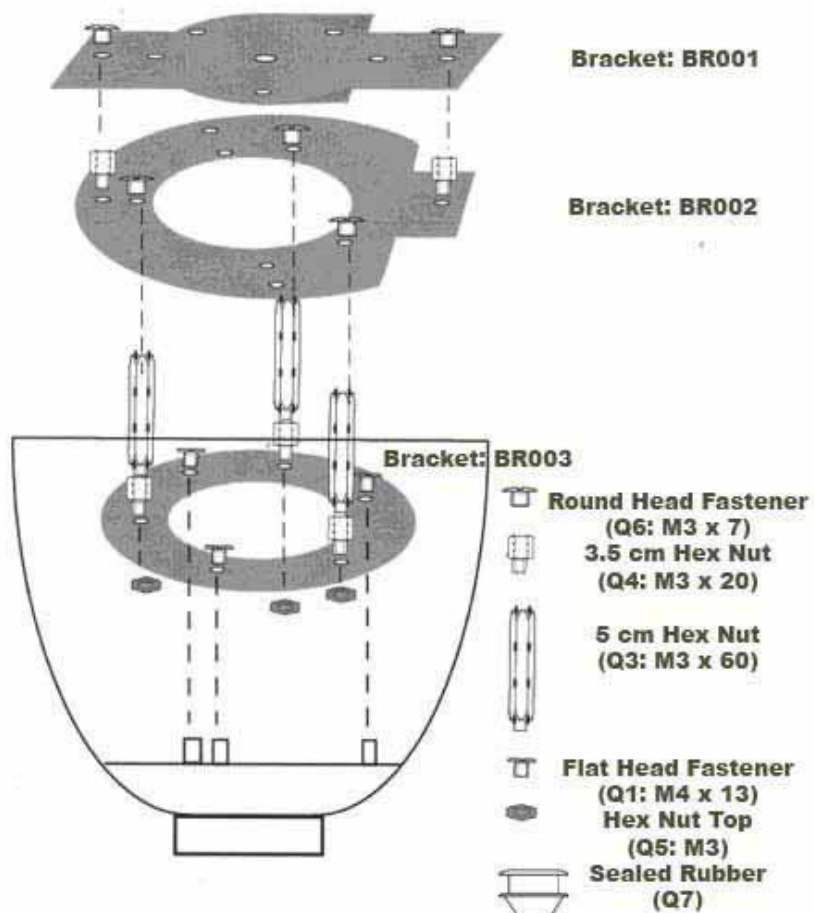
- 5) Rotate the vitreous cover counter clockwise and take it out (see Figure 4).
- 6) Fix the pedestal in the aluminium alloy ball (Figure 5). Install the ball on the bracket (Figure 6).



2.1 Structure diagram of installation (Figure 6):



2.2 Structure diagram of pedestal assembly (Figure 5):



2.3 Steps to assemble pedestal with IP camera:

Step 1 : Link IP Camera power cord and Ethernet cable

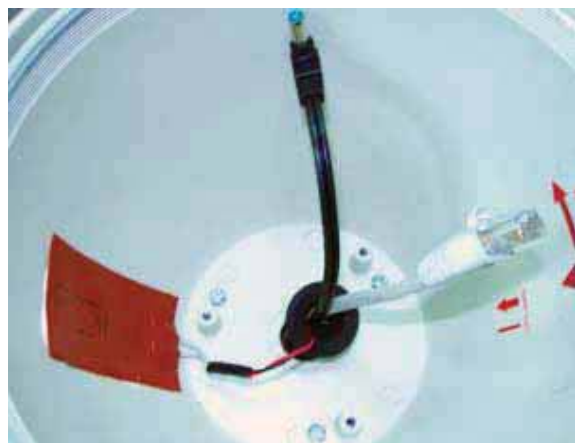
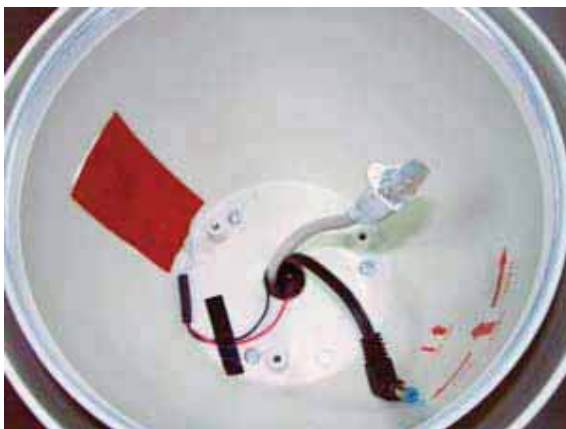
1.1 Pass the IP camera DC jack and Ethernet cable through the dome base:



1.2 Pass the DC Plug through the dome base:



1.3 Seal the rubber (Q7: the sealed rubber) back to the dome base. Make sure you also pass the power cord for the housing heater and fan through the sealed rubber.

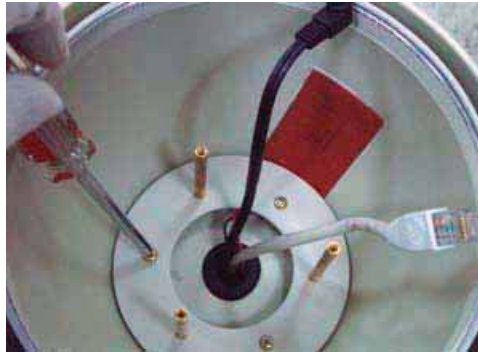


Step 2 : Pedestal Assembly

2.1 Fasten the 5cm Hex Nut (**Q3: M3 x60**) to the base bracket (**BR003**).



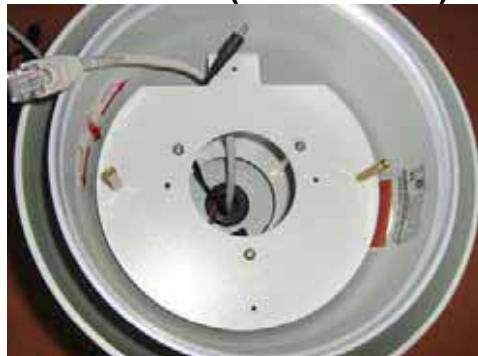
2.2 Fasten the base bracket (**BR003**) to the dome base with three Flat Head fasteners (**Q1: M4x13**).



2.3 Fasten the bracket (**BR002**) to the Hex Nut of the bracket (**BR003**) with three round head fasteners (**Q6: M3 x7**).



2.4 And then fasten two 3.5cm Hex Nut (**Q4: M3 x20**) to the bracket (**BR002**).



Step 3 : Installation of the IP Camera

3.1 Fix the IP Camera to the upper bracket (BR001).

PS: Please use the IP Camera stand's Screw



3.2 Connect the IP camera to Power & Network.



3.3 Place the IP camera in the RoboDome10.



3.4 Fix it to the bracket (BR002) with two round head fasteners (Q6 M3*7)



3.5 Install the dome cover clock-wisely. Assembly finished.



DOMES COVER CLEANING

To obtain constant clear videos, user should clean the dome cover periodically.

- Be cautious when cleaning. Hold the dome cover ring only to avoid direct touch to the acrylic dome cover. The acid sweat mark of fingerprint will corrode the coating of the dome cover and scratch on dome cover will cause vague images.
- Use soft dry cloth or the substitute to clean the inner and outer surfaces.
- For hard contamination, use neutral detergent. Any cleanser for high grade furniture is applicable.

TECHNICAL SPECIFICATIONS:

General

Input Voltage:	12V DC (included); 15W Dual-element heater is thermostatically controlled.
Fan:	activates at 45°C deactivates at 30°C
Heater:	activates at 5°C deactivates at 10°C
Construction:	Aluminum
Finish:	Beige coated
Mounting Bracket:	1x Gooseneck pendent 1x 1 foot straight tube pendent
IP value:	IP66
Ambient temperature:	-35°C ~ 55°C
Weight Housing	4.2 Kg



Environmental Information for Customers in the European Union

European Directive 2002/96/EC requires that the equipment bearing this symbol on the product and/or its packaging must not be disposed of with unsorted municipal waste. The symbol indicates that this product should be disposed of separately from regular household waste streams. It is your responsibility to dispose of this and other electric and electronic equipment via designated collection facilities appointed by the government or local authorities. Correct disposal and recycling will help prevent potential negative consequences to the environment and human health. For more detailed information about the disposal of your old equipment, please contact your local authorities, waste disposal service, or the shop where you purchased the product.

DECLARATION OF CONFORMITY

Hereby, **Marmitek BV**, declares that this **RoboDome10** is in compliance with the essential requirements and other relevant provisions of the following Directives:

DIRECTIVE 2004/108/EC OF THE EUROPEAN PARLIAMENT AND OF THE COUNCIL of 15 December 2004 on the approximation of the laws of the Member States relating to electromagnetic compatibility

Directive 2006/95/EC of the European Parliament and of the Council of 12 December 2006 on the harmonisation of the laws of Member States relating to electrical equipment designed for use within certain voltage limits

Directive 2002/95/EC of the European Parliament and of the Council of 27 January 2003 on the restriction of the use of certain hazardous substances in electrical and electronic equipment

Commission Regulation (EC) No 278/2009 of 6 April 2009 implementing Directive 2005/32/EC of the European Parliament and of the Council with regard to ecodesign requirements for no-load condition electric power consumption and average active efficiency of external power supplies

MARMITEK BV - P.O. BOX 4257 - 5604 EG EINDHOVEN – THE NETHERLANDS



Copyrights

Marmitek is a trademark of Pattitude BV

RoboDome10 is a trademark of Marmitek B.V. **All rights reserved.**

Copyright and all other proprietary rights in the content (including but not limited to model numbers, software, audio, video, text and photographs) rests with Marmitek B.V. Any use of the Content, but without limitation, distribution, reproduction, modification, display or transmission without the prior written consent of Marmitek is strictly prohibited. All copyright and other proprietary notices shall be retained on all reproductions.



MARMITEK®

www.marmitek.com