

AMR650

Active Multi-Room Speakers

Broadening the Opus 300 system range, Opus adds the AMR650 A-BUS Active Speaker System. Consisting of a matched pair of high-quality ceiling speakers which are optimised for custom installation and in-ceiling applications, the AMR650 features a wide-angle infra red eye mounted on the 'active' speaker, which is directly connected to the high efficiency Class T amplifier mounted on the rear of this speaker. Thanks to the Opus system infra-red learning remote, the user has access to volume, tone settings, and source selection controls by using the system or learning remote control. This eliminates the need for a wall control keypad and therefore makes an Opus 300 Multi-Room

Entertainment System even easier to install, particularly in a 'retro-fit' situation. A pre-amp output is even included for connection to an active subwoofer or separately powered pair of speakers if desired.

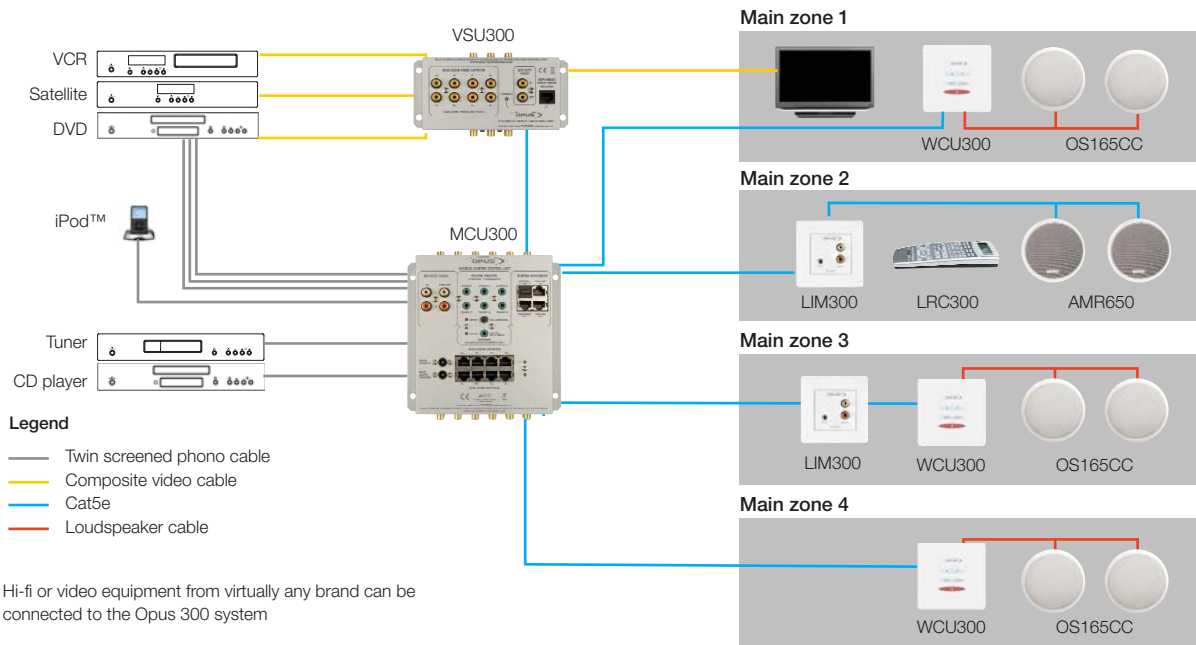
The AMR650 active speaker is connected to the Opus 300 MCU using Cat5e UTP or Cat6 cable, providing source signals, IR pass-through, switching commands and power for the amplifier. The passive speaker is connected to its active twin via either loudspeaker cable or another Cat5e UTP or Cat6.

Key features

- In-built stereo power amplifier
- Optimised drive units for ceiling-mounted applications
- Simple connection with just one run of Cat5e cable to the MCU
- Tell tale beeps and blinking red LED when control input is applied
- Only 80mm ceiling depth required
- 2 way design, 165mm diameter driver unit with 13mm coaxial tweeter.
- Supplied with cutting template
- Paintable front for optimal décor matching
- One active, one passive speaker per pair
- Wide-angle infra red receiving eye



A typical Opus 300 installation - 4 zone



Specifications

Frequency response	60Hz - 20kHz +/- 2dB
Enclosure type	In-ceiling infinite baffle Flush mounted to ceiling
Drive Components	Two-Way System One 13mm tweeter One 142mm woofer
Overall front panel diameter	238mm diameter / 10mm deep
Mounting Depth Required (Min)	80mm
Cutout Diameter	207mm
Recommended back air volume	22 litres
Carton Volume	0.019m ³
Volume range	0 to -78 dB in 31 steps
Bass range	+/- 14 dB @ 100Hz
Treble range	+/- 14 dB @ 10kHz
Balance	+0/-17.5 dB in seven 2.5 dB steps (L and R)
IR pass through	frequencies 34-40kHz and 54-58kHz
Connection to hub	Cat5e or Cat6
Connection between speakers	Cat5e/6 or two core speaker wire

Technical close-up

AMR650 A



AMR650 P



A-BUS

A-BUS is a registered trademark of LeisureTech Electronics PTY Ltd Australia.