

# IR1

## Infra Red Emitter

The Opus IR1 is used to control source equipment connected to the Opus MCU300 via infra red.

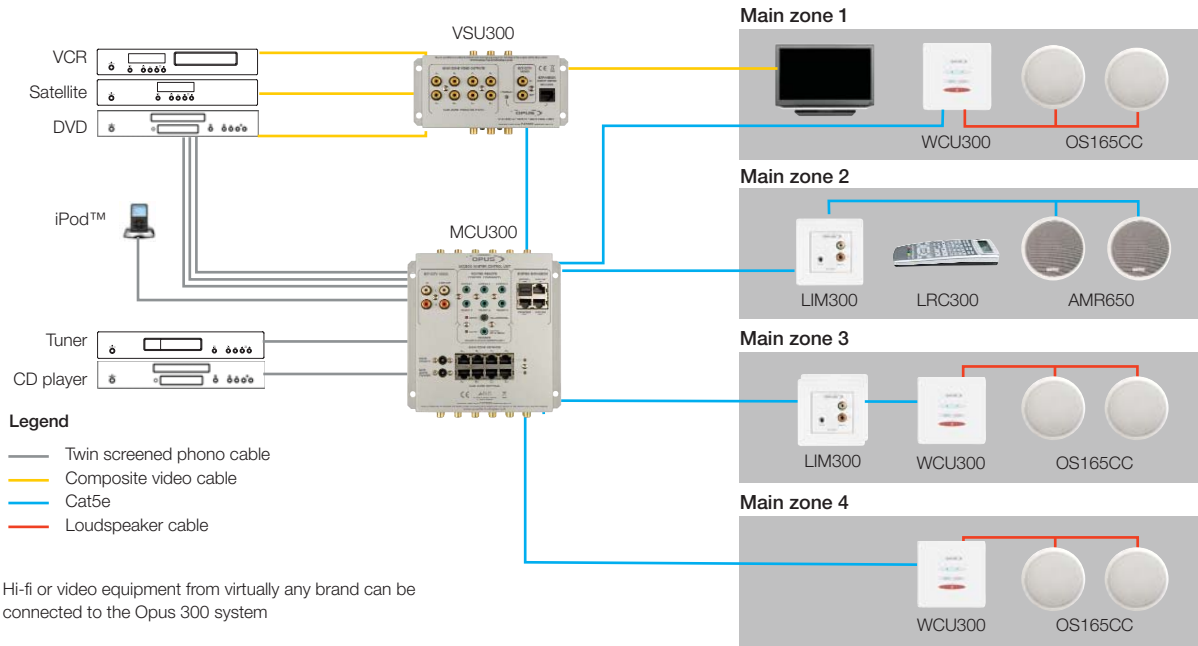
The IR1 plugs into the appropriate output on the front of the MCU for the source to be controlled (CD, Source 2, 3, 4 etc.) and is then affixed to the front panel of the source component over its IR receiver window using a supplied self-adhesive tape. When the MCU outputs commands, the IR signals are directed via the IR1 to a source component making sure that the source component only reacts to the commands that are intended for it.

### Key features

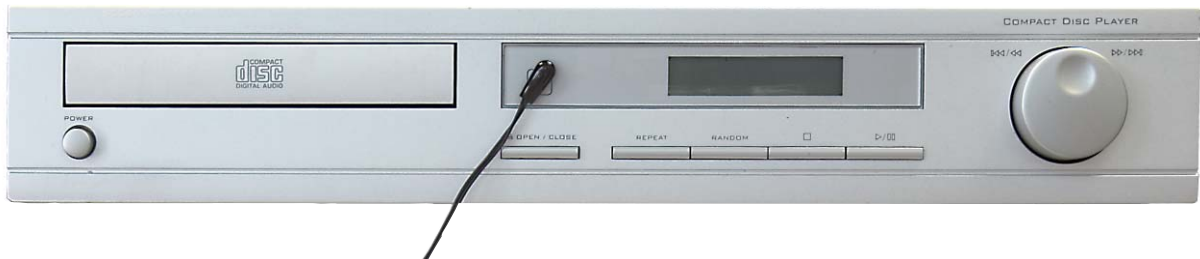
- Small unobtrusive design
- Enables direct infra red commands to be sent to source equipment
- Easy self adhesive fitment and use
- IR1 blinks when transmitting to indicate correct operation.



## A typical Opus 300 installation - 4 zone



## Product detail - Diagram to show use of source equipment



## Specifications

High-intensity single LED output

3.5mm mono plug connection