

LRC300

Learning Remote Control

The LRC300 learning remote control enables users to enjoy sophisticated functionality from their Opus 300 system with hard-coded buttons to control the Opus system plus full control of all connected source equipment. A single LRC300 can control all local settings such as volume, source and bass/treble as well as all source settings such as play, stop and track/station selection etc.

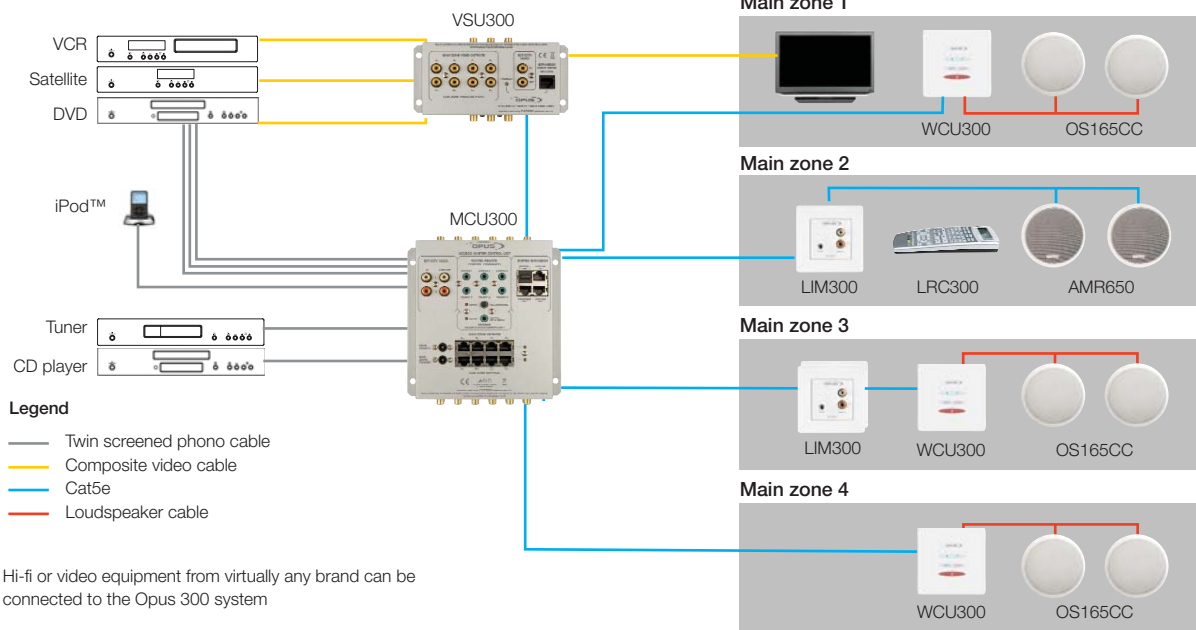
Key features

- Learning storage buttons compatible with nearly all source equipment*
- Dedicated hard-coded Opus system function buttons ensuring easy and intuitive system operation
- Editable device names allow customisation of screen display to reflect source equipment system configuration
- Macro facility on all learning keys (20 steps per key) allowing sophisticated system customisation. Macros can also be added to source/device buttons extending functionality
- Backlit display and buttons allow for easy operation even in low-level lighting conditions
- High power IR output enables operation of the system at a distance from the keypad
- Clock and alarm features allows wake up to a favourite radio station

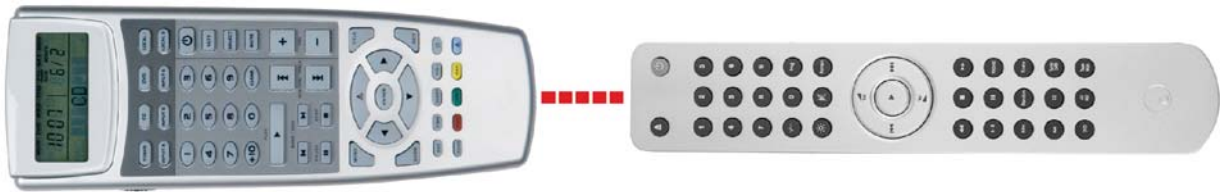
*Other than some rare source equipment that uses unusually high frequency IR transmission.



A typical Opus 300 installation - 4 zone



Learning function



Specifications

Device Banks

Tuner, Source 2, Source 3, Source 4,
Source 5, Source 6, Local-1, Local-2,
Lighting Bank,

Learning Capability

8 Source Device Banks

Battery

4 AAA/LR03/sum-4 alkaline batteries

Weight

157g (without batteries)

Dimensions (WxHxD)

60 x 26 x 210 mm approx.

CE

Marked to EN 55 013 (1990) inc.regulations amendments A12 (1994) and A14 (1999); EN 61000-3-2 (1995) inc.amendments A1 (1998), A2 (1998) and A14 (2000); EN 61 000-3-3 (1995); EN 55 020 (1994)

FCC

Part 15 (2001-05)