

VSU300 V2.0

Video Switching Unit

Designed to work with the Opus MCU300 multi-source hubs, the Opus VSU300 V2 video switching unit adds full audio-visual switching capability to the Opus 300 multi-room entertainment system.

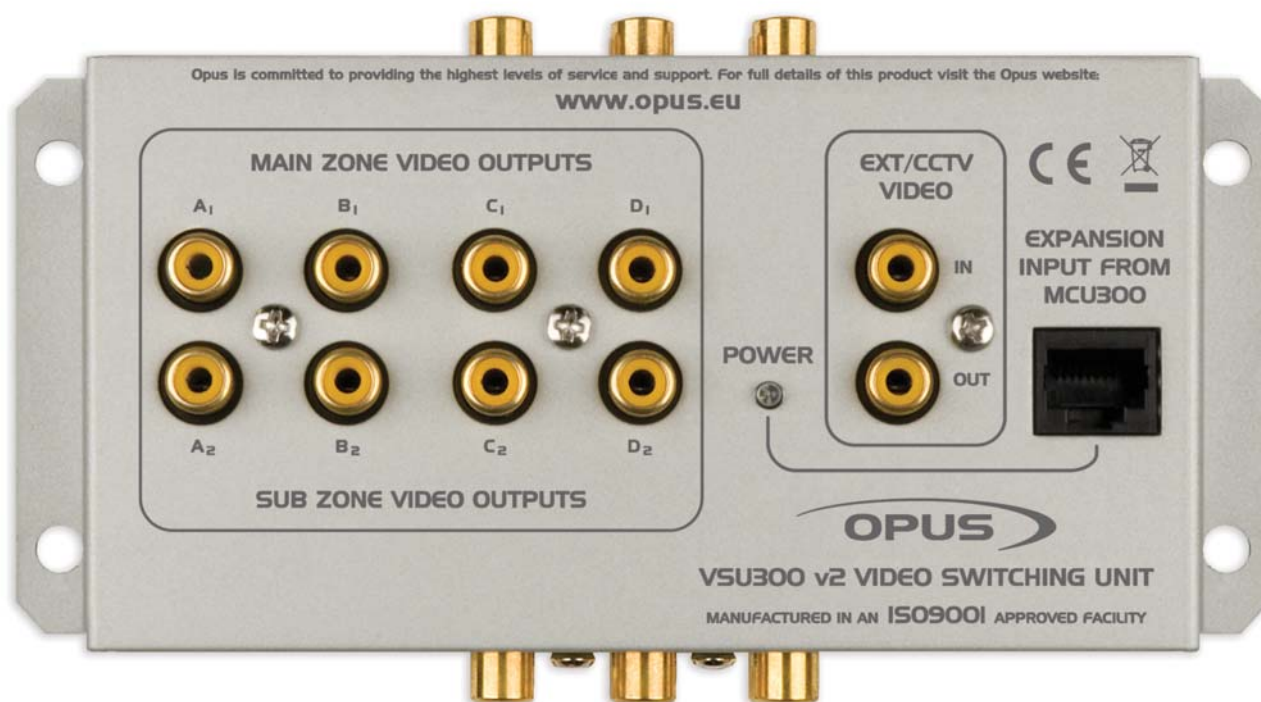
The 6 composite video inputs correspond to the audio inputs on the attached MCU, and can be distributed to the 4 main zones plus 4 sub-zones around the house.

When an audio source is selected in any zone via a WCU300 wall-mounted control panel, the VSU300 V2 automatically routes the corresponding video signal to the same zone.

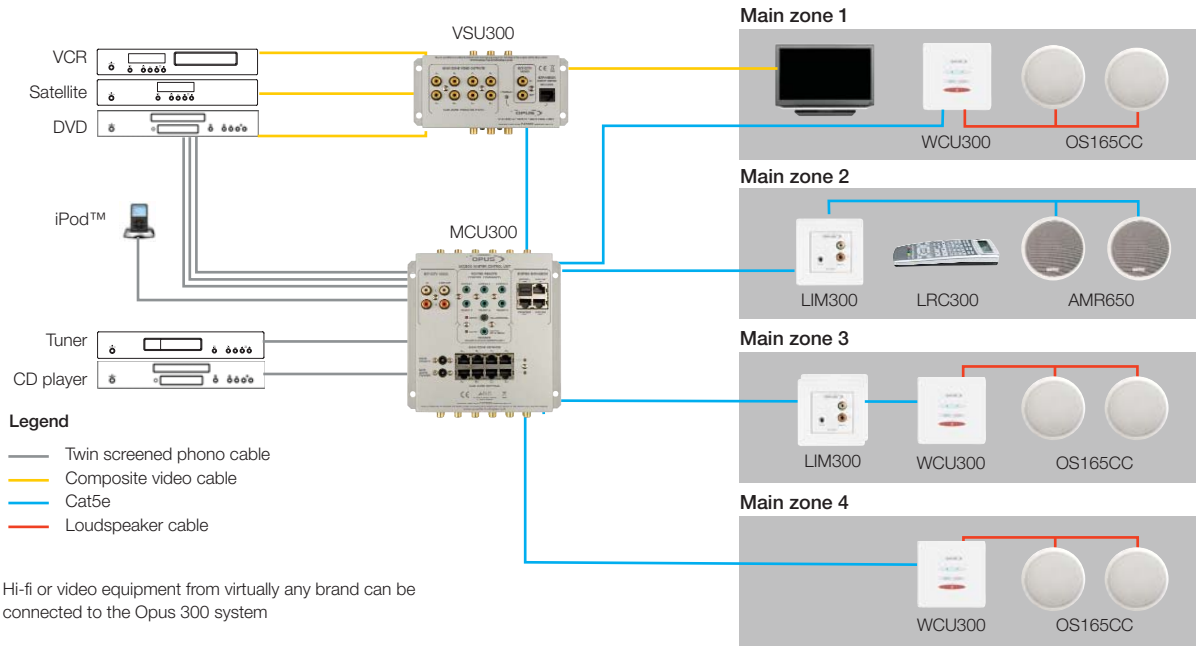
Loop outputs for all 6 video sources are provided, enabling integration with an existing hi-fi or home theatre system.

Key features

- 6 composite video source inputs
- Feeds up to 4 main zones plus 4 sub-zones
- Ext/CCTV source input
- Powered by attached MCU300, no extra power supply needed
- Loop outputs for all video source inputs
- Automatic switching to match audio source selection
- Improved video bandwidth for better quality picture.



A typical Opus 300 installation - 4 zone



Specifications

Source Inputs

7 (6 + Ext/CCTV) Type 75 Ohm,
composite video CCTV input
IR code RC5 Sys 19. Command 9

Video Bandwidth

20MHz

Maximum cable run to zone

50 metres/150 Feet

Recommended cable type to zone

RG6/CT100 75 Ohm
co-axial Max (50m)

Mains Voltage (Switchable) ~

110 - 120V or 220 via MCU -
240V AC @ 50- 60Hz

Weight 0.59kg

Dimensions (WxHxD)

165 x 48 x 74 mm approx.