

WCU330

Wall Control Unit



The WCU330 is the wall control unit for the Opus 300 multi-room entertainment system and can be used as both main or sub-zone controllers. Working on the A-BUS standard, installation is extremely simple with just one Cat5 cable connection needed from WCU330 keypad to MCU300 and standard speaker cable from the keypad to loudspeakers. Remarkably, amplification for the speakers is built into the back of the WCU330 and a pre-amp output is even provided for driving external amplifiers or a powered subwoofer.

The WCU330 may also be used with other A-BUS ready audio set-ups by flicking the rear-mounted switch to standard (A-BUS), for access to all basic functions.

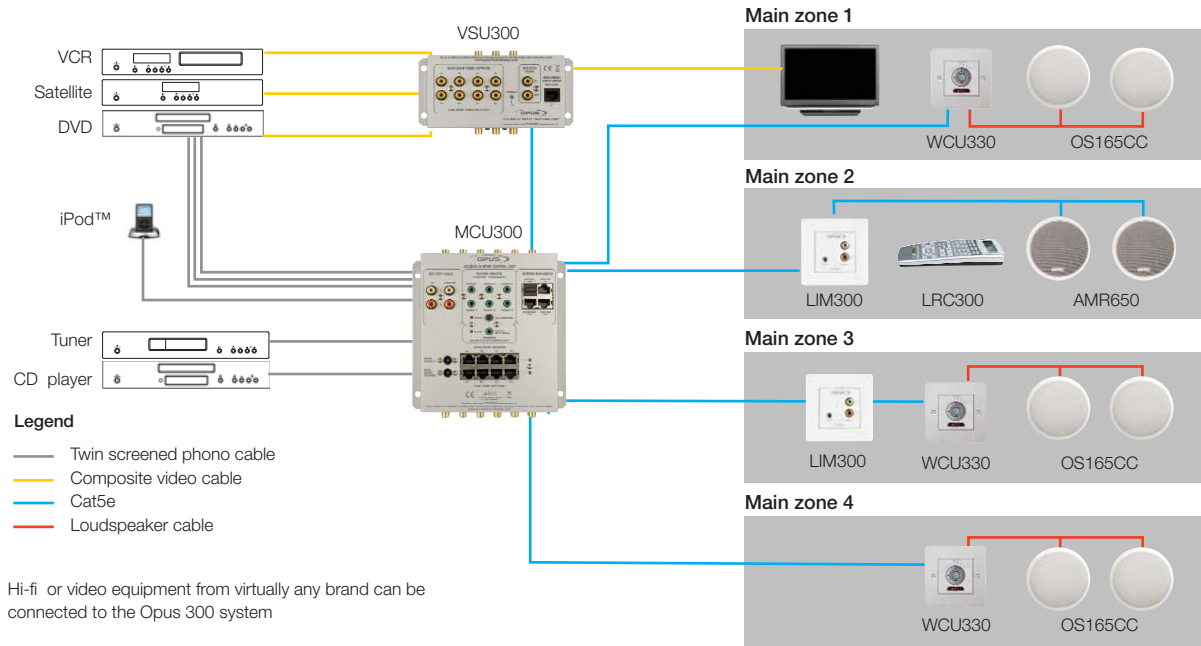
Key features

- Full control of volume, bass, treble, balance, fader, input change
- Fully A-BUS compatible
- Powered by Cat5 UTP interconnect cable from the master control unit (no external power supply needed)
- Built-in pre-amp output for powering external amplifiers or a powered subwoofer if required
- Direct connection to ceiling-mounted or other speakers
- Uses standard Easy-clip faceplate surrounds (full range of styles and finishes available from MK and other suppliers)
- Fits standard UK 47mm back box



Also available in silver finish

A typical Opus 300 installation - 4 zone



Specifications

Input impedance 45 k ohms

Frequency response 20Hz-20kHz +/- 1dB

THD <0.2% @ 1W, 20Hz - 20 kHz

S/N ratio > 80dB 'A' weighted

Volume control range -80dB, 36 steps

Bass control range +/- 16 dB, 2 dB steps

Treble control range +/- 16 dB, 2 dB steps

Balance control range +/- 40 dB, 9 steps either way

Preamp output Variable level, follows volume setting

IR pass through 30-40 kHz and 54-58kHz modulation frequencies supported

Speaker impedance 4-8 ohms

Power requirement 24V DC @ 1A max (supplied by hub)

Dimensions (H x W x D)
White: 86 x 86 x 53mm
Steel: 86 x 86 x 50mm

